

Fig. 1

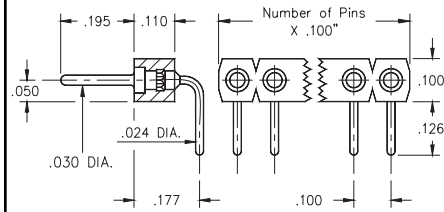


Fig. 2

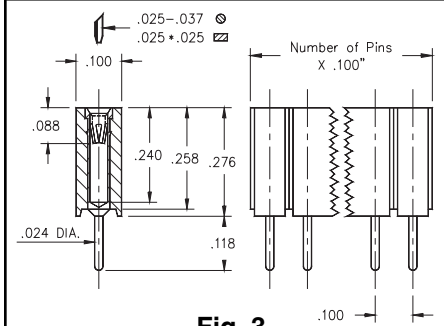


Fig. 3

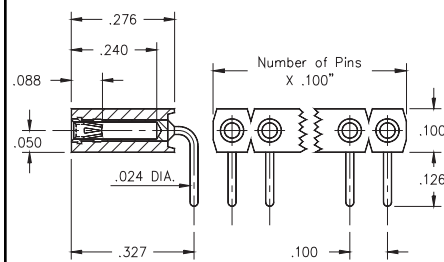


Fig. 4

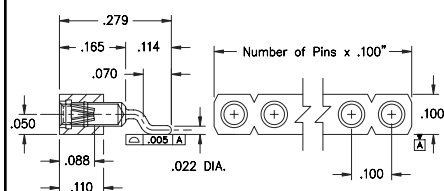
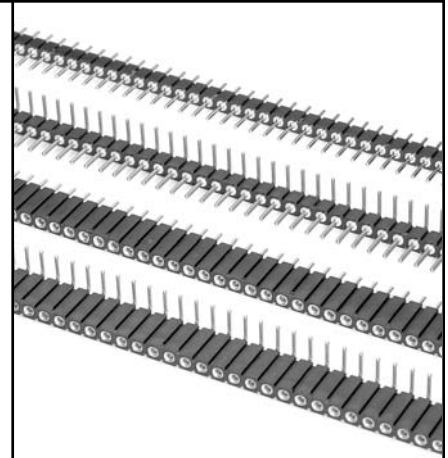


Fig. 5

- Pin interconnects available with straight MM #7007 or right angle MM #5005 solder tails. See page 173 for details.
- Sockets are available with straight MM #1304 or right angle MM #1305 solder tails. See pages 146 & 147 for details.
- MM #1304 and MM #1305 receptacles use Hi-Rel, 6-finger BeCu #47 contacts rated at 4.5 amps. Receptacles accept .030" diameter and .025" square pins. See page 211 for details.
- Insulators are high temp. thermoplastic.



Ordering Information

Fig. 1	Series 800...10-001 Straight Pin Header															
	800-XX-0__-10-001000 Specify # of pins → 01-64															
Fig. 2	Series 800...20-001 Right Angle Pin Header															
	800-XX-0__-20-001000 Specify # of pins → 02-64															
XX= Plating Code See Below For RoHS compliance select ◇ plating code.																
SPECIFY PLATING CODE XX=																
<table border="1" style="width: 100%; text-align: center;"> <tr> <td style="width: 25%;">10 ◇</td> <td style="width: 25%;">90</td> <td style="width: 25%;">40 ◇</td> <td style="width: 25%;"></td> </tr> <tr> <td>Pin Plating </td> <td>10μ" Au</td> <td>200μ" Sn/Pb</td> <td>200μ" Sn</td> </tr> </table>		10 ◇	90	40 ◇		Pin Plating	10μ" Au	200μ" Sn/Pb	200μ" Sn							
10 ◇	90	40 ◇														
Pin Plating	10μ" Au	200μ" Sn/Pb	200μ" Sn													
Fig. 3	Series 801...10-001 Straight Socket															
	801-XX-0__-10-001000 Specify # of pins → 01-50															
Fig. 4	Series 801...20-001 Right Angle Socket															
	801-XX-0__-20-001000 Specify # of pins → 01-50															
Fig. 5	Series 801...40-002 SMT Right Angle Socket															
	801-XX-0__-40-002000 Specify # of pins → 02-10															
XX= Plating Code See Below For RoHS compliance select ◇ plating code.																
SPECIFY PLATING CODE XX=																
<table border="1" style="width: 100%; text-align: center;"> <tr> <td style="width: 25%;">13 ◇</td> <td style="width: 25%;">93</td> <td style="width: 25%;">99</td> <td style="width: 25%;">43 ◇</td> <td style="width: 25%;">44 ◇</td> </tr> <tr> <td>Sleeve (Pin) </td> <td>10μ" Au</td> <td>200μ" Sn/Pb</td> <td>200μ" Sn/Pb</td> <td>200μ" Sn 200μ" Sn</td> </tr> <tr> <td>Contact (Clip) </td> <td>30μ" Au</td> <td>30μ" Au</td> <td>200μ" Sn/Pb</td> <td>30μ" Au 200μ" Sn</td> </tr> </table>		13 ◇	93	99	43 ◇	44 ◇	Sleeve (Pin)	10μ" Au	200μ" Sn/Pb	200μ" Sn/Pb	200μ" Sn 200μ" Sn	Contact (Clip)	30μ" Au	30μ" Au	200μ" Sn/Pb	30μ" Au 200μ" Sn
13 ◇	93	99	43 ◇	44 ◇												
Sleeve (Pin)	10μ" Au	200μ" Sn/Pb	200μ" Sn/Pb	200μ" Sn 200μ" Sn												
Contact (Clip)	30μ" Au	30μ" Au	200μ" Sn/Pb	30μ" Au 200μ" Sn												